

1864

# CEDAR TIMBER OUTDOOR TABLES



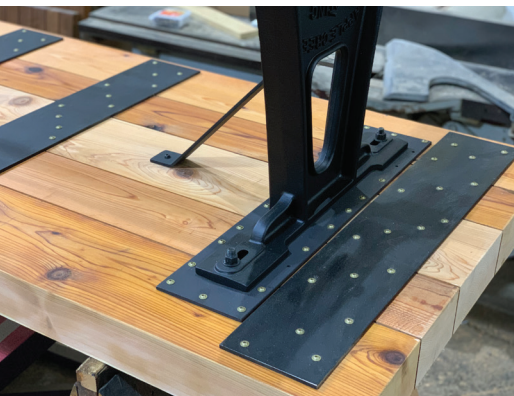
ALL YEAR / ALL WEATHER  
DURABILITY & BEAUTY  
SOLID ALUMINUM LEGS



LIVING SPACES,  
GATHERING SPACES,  
EVENT VENUES



MADE IN OHIO/USA  
BUILT TO LAST BY OUR  
HEAVY TIMBER SAWMILL







# CEDAR TIMBER OUTDOOR FURNITURE

Custom-sawn in the USA at NORTHERN OHIO's 160-year-old sawmill



## DURABILITY

Sealed and finished for 10-20+ years in all outdoor elements  
*\*Can be extended far longer with simple annual maintenance*

## SPECIES

- 4" solid cedar timbers
- Sealed for external use

## BASE

- Solid aluminum legs and fastening
- Sealed rust-resistant finish



## ENVIRONMENT

- All season outdoor
- Living spaces
- Terraces
- Hospitality
- Courtyards
- Gathering spaces
- Event venues



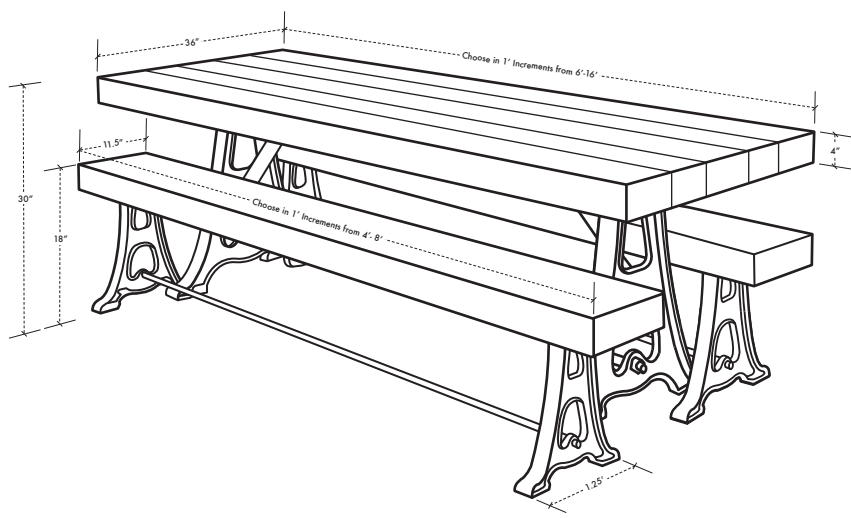
## OPTIONS

### SOLID TIMBER SIZE

- Sizes: 6' – 8' – 10' – or 12' length
- Width: 36"

### SEATED SIZE

- 30" finished seat height
- Benches optional, not included



## FOUNDED IN 1864,

NORTHERN OHIO is the oldest lumber company and sawmill in Ohio.

Experience and depth of knowledge make us an industry leader and a trusted resource for the professional builder community, architects, designers, and consumers.

### NORTHERN OHIO COMPRISES THREE DIVISIONS:



Construction lumber, timber, building materials, and industrial hardwoods



Solid wood high-character lumber, wall siding/cladding, interior and exterior



Fabricated fixtures for hospitality, civic and residential indoor/outdoor